

# CM 4

## Product Description:

Powder coated metal showcase featuring glass fiber optic lighting and sliding front glass doors.

## Standard Features:

- 6 Top Down Lights
- 14 Top Adjustable Lens Heads
- 8 Lens Heads Per Shelf
- 52 Total Light Points
- 3 Glass Shelves,  $\frac{5}{16}$ " Glass
- 2 Abloy High Security Locks
- $\frac{1}{4}$ " Lockable Sliding Glass Doors
- Shown With Solid Metal Back and Base Shelf
- Large Storage Area in Left Side of Base

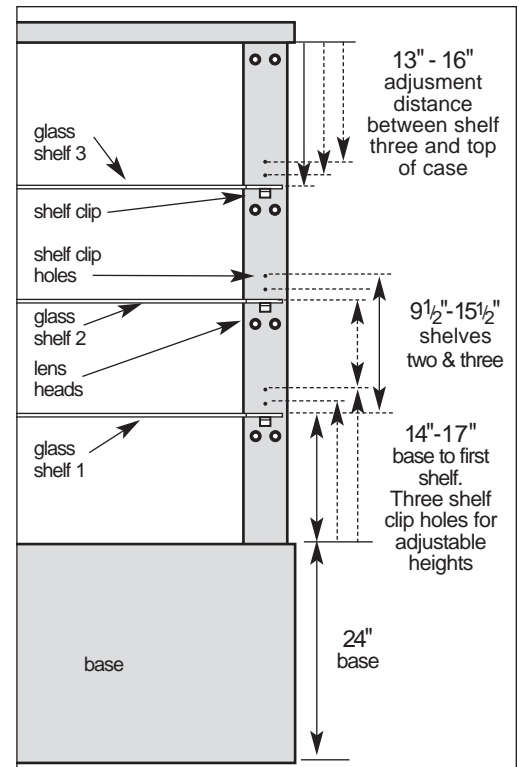
## Product Size:

- $39\frac{3}{8}$ " x  $21\frac{1}{2}$ " x 81"

## Options:

- Mirrored Back and Base Shelf
- Glass Back

## Shelf Spacing Diagram



Showcase shown is a standard CM4 in Moccasin II powder coated finish with solid metal back, powder coated with Blue Wrinkle finish.