

CM15 (AMVS2B)

Product Description:

Powder coated metal showcase featuring glass fiber optic lighting and swinging front glass doors.

Standard Features:

- 6 Top Down Lights
- 12 Lens Heads Per Shelf
- 52 Total Light Points
- 3 Glass Shelves, $\frac{5}{16}$ " Glass
- 4 Abloy High Security Locks
- $\frac{1}{4}$ " Swinging Glass Doors
- Solid Metal Base Shelf
- Large Storage Area in Left Side of Base
- 360° Viewing

Product Size:

- 20" x 36" x 74"

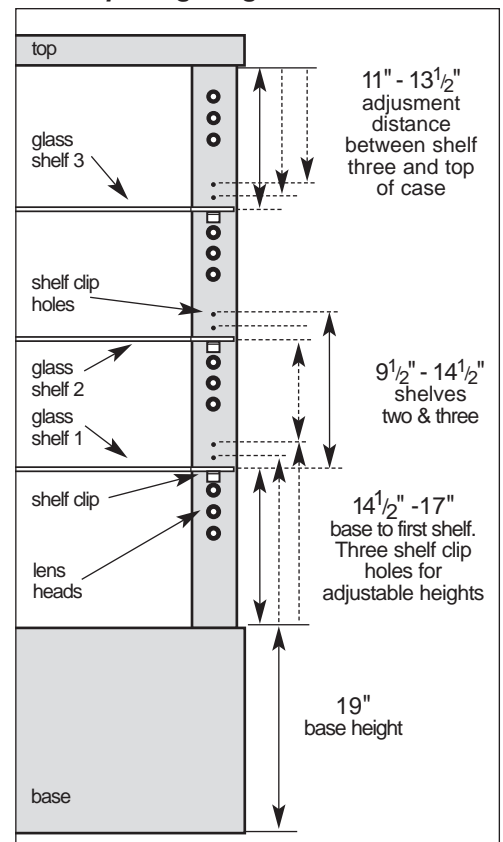
Options:

- Mirrored Back and Base Shelf
- Solid Metal Back (as shown)



Showcase shown is a CM15 powder coated in Flat Sandbar finish with optional solid back.

Shelf Spacing Diagram



ACTIVE
METAL, INC.

2219 Cottage St. ▪ Ashland, OH 44805 ▪ 419.281.9623 ▪ Fax: 419.282.0058 ▪ www.activemetalinc.com

© 2005 Active Metal Inc.